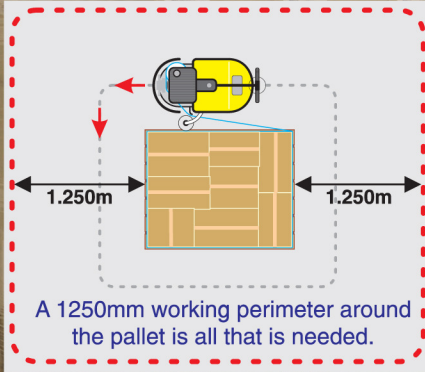


# Little Robbie

## The pallet wrapping robot

### Small work area



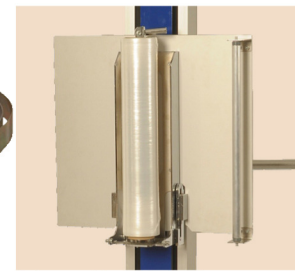
Little Robbie glides around the pallet automatically completing the wrapping program then stops ready for the next pallet. Each rotation around a 1200mm x 1200mm pallet takes about 3 seconds while the film carrier moves up and down on a telescopic column. Little Robbie stops instantly if the front safety band meets an obstruction or if the safety switch in the handle bumps into the operator (when manoeuvring).



- Other features include:**
- Electronic film tension plus manual film friction control.
  - 80% power pre-stretch.
  - Audible beep and flashing warning light during operation.
  - Built-in charger with charge indicator. Just plug into a 240v power point overnight.

**Specifications:** 1066mm deep x 750mm wide x 1560mm high (column retracted). Weight: 230kg. Maximum pallet height: 2350mm. Maximum film width 500mm on 75mm or 46mm core.

Stops instantly if safety band meets an obstruction.



Lifting table folds up for wrapping.

"Up", "Stop", "Down" selector.



Raising and lowering speed adjustment.

Battery powered with battery charge status indicator: 24v dc (two 12v, 9amp batteries). Mains supply for battery charger.



Lifts up to **70 kg\***

## Venhart BRAND Stacker Wrapper

Makes easy work of heavy cartons

Stacker Wrapper lifts and transports heavy cartons\*. By folding up the lifting plate, it becomes a manual pallet wrapper. The lifting control has "Up", "Lock" and "Down" settings. The "Up" and "Down" speed is adjustable, which makes it possible to overlap the film correctly as the operator walks around the pallet.

- Dimensions (LxWxH): 640mm x 760mm x 1950mm.
- Weight (including batteries): 45kg.
- Max. wrapping height: 2000mm.
- Suitable film: PE/Pre-stretched stretch film.

\* Maximum transportation load weight of 70kg up to 600mm high decreases proportionally to 10kg at a maximum height of 1800mm.

Lift

Stack

Wrap

